

SPEEDLINER® 2.0 S60 Compact Stitching Cylinder Wear Part Kit 200

Tolerans is the world leader in in-line stitching. Renowned for high quality products and innovative solutions, we are dedicated to ensure you a worry-free stitching process. By using Tolerans Original Wear and Spare Parts you will gain an improved production safety and an optimum performance, ensuring a reliable stitching solution for many years to come.

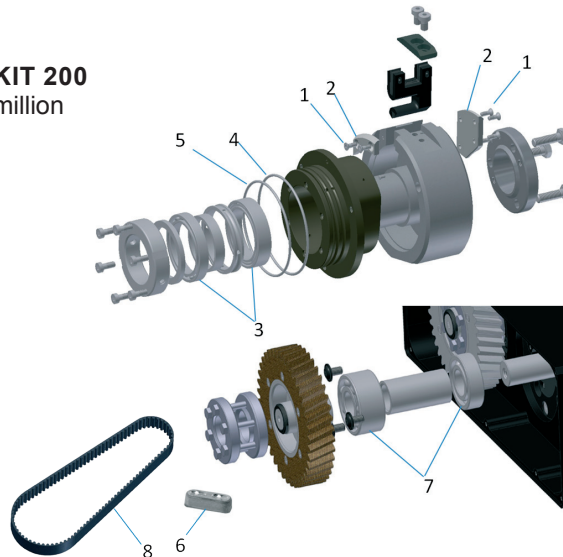
Tolerans Wear Part Kits are available for our complete range of SPEEDLINER® stitchers, and are designed to be replaced at certain interval points.

The Wear Part Kits enable quicker replacements with less downtime, and where applicable, all mechanical settings are pre-set when delivered. Instructions for assembly is found in original manual or maintenance instruction movies at www.tolerans.com.

STITCHING CYLINDER KIT 200

To be replaced every 200 million copies. Consists of:

1. Screw M3x8
2. Side plates
3. Bearings
4. O-Ring 66,40 x 1,78
5. O-Ring 63,22 x 1,78
6. Dies
7. Frame bearings
8. Drive belt (if applicable)



DELIVERY TIME

Estimate 5-10 working days

TOLERANS ORIGINAL WEAR PART KITS

- Stitching Cylinder
- Cutting Unit
- Feedingbox
- Wire infeeder
- DrumTop

FOR WEAR AND SPARE PART INQUIRIES

Please contact:
spares@tolerans.com
 or call: +46 8 586 116 10

When ordering Stitching Cylinder Kit 200 for SPEEDLINER 2.0 S60 Compact, please view below list for correct part number.

Stitching points	Cut-off length (mm)	Staple size (mm)	Part no
2	610-630	14	01-001945