

## SPEEDLINER® 2.0 S60 Compact Stitching Cylinder Wear Part Kit 25

Tolerans is the world leader in in-line stitching. Renowned for high quality products and innovative solutions, we are dedicated to ensure you a worry-free stitching process. By using Tolerans Original Wear and Spare Parts you will gain an improved production safety and an optimum performance, ensuring a reliable stitching solution for many years to come.

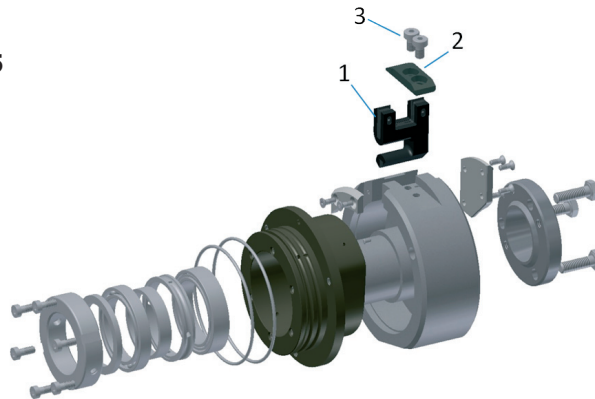
Tolerans Wear Part Kits are available for our complete range of SPEEDLINER® stitchers, and are designed to be replaced at certain interval points.

The Wear Part Kits enable quicker replacements with less downtime, and where applicable, all mechanical settings are pre-set when delivered. Instructions for assembly is found in original manual or maintenance instruction movies at [www.tolerans.com](http://www.tolerans.com).

### STITCHING CYLINDER KIT 25

To be replaced every 25 million copies. Consists of:

1. Stitchforks
2. Wire rests
3. Screw M5x8



### DELIVERY TIME

Estimate 5-10 working days

### TOLERANS ORIGINAL WEAR PART KITS

- Stitching Cylinder
- Cutting Unit
- Feedingbox
- Wire infeeder
- DrumTop

### FOR WEAR AND SPARE PART INQUIRIES

Please contact:  
[spares@tolerans.com](mailto:spares@tolerans.com)  
 or call: +46 8 586 116 10

When ordering Stitching Cylinder Kit 25 for SPEEDLINER 2.0 S60 Compact, please view below list for correct part number.

Stitching points	Staple size (mm)	Wire $\phi$ (mm)	Part no
2	14	0.5	01-001944