

## Stitching Cylinder Wear Part Kit 50

Tolerans is the world leader in in-line stitching. Renowned for high quality products and innovative solutions, we are dedicated to ensure you a worry-free stitching process.

By using Tolerans Original Wear and Spare Parts you will gain an improved production safety and an optimum performance, ensuring a reliable stitching solution for many years to come.

Tolerans Wear Part Kits are available for our complete range of SPEEDLINER® stitchers, and are designed to be replaced at certain interval points. For SPEEDLINER® 2.0 stitchers, please see separate 2.0 Wear Part Kits.

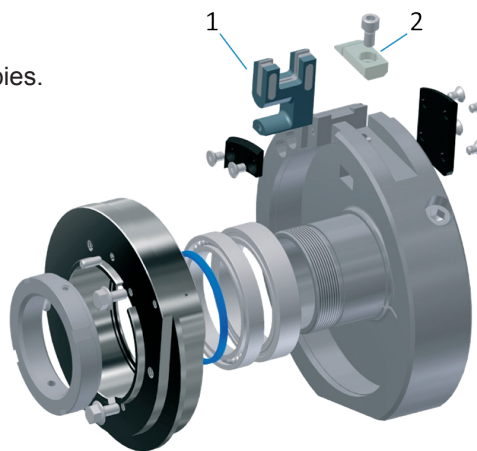
The Wear Part Kits enable quicker replacements with less downtime, and where applicable, all mechanical settings are pre-set when delivered. Instructions for assembly is found in original manual or maintenance instruction movies at [www.tolerans.com](http://www.tolerans.com).

### STITCHING CYLINDER KIT 50

To be replaced every 50 million copies.

Consists of:

1. Stitchforks
2. Wire rests



### DELIVERY TIME

Estimate 5-10 working days

### TOLERANS ORIGINAL WEAR PART KITS

- Stitching Cylinder
- Cutting Unit
- Feedingbox
- Wire infeeder
- DrumTop

### FOR WEAR AND SPARE PART INQUIRIES

Please contact:  
[spares@tolerans.com](mailto:spares@tolerans.com)  
 or call: +46 8 586 116 10

When ordering Stitching Cylinder Kit 50, please view below list for correct part number. (For SPEEDLINER 2.0, view separate sheet.)

Stitching points	Staple size (mm)	Wire Ø (mm)	Part no
2	12	0.4	01-001264
2	14	0.5	01-001358
2	14	0.6	01-001364
2	16	0.5	01-001367
2	16	0.6	01-001225
2	16	0.7	01-001361
3	12	0.4	01-001265
3	14	0.5	01-001359
3	14	0.6	01-001365
3	16	0.5	01-001368
3	16	0.6	01-001226
3	16	0.7	01-001362
4	12	0.4	01-001266
4	14	0.5	01-001360
4	14	0.6	01-001366
4	16	0.5	01-001369
4	16	0.6	01-001227
4	16	0.7	01-001363