

Stitching Cylinder Wear Part Kit 100

Tolerans is the world leader in in-line stitching. Renowned for high quality products and innovative solutions, we are dedicated to ensure you a worry-free stitching process.

By using Tolerans Original Wear and Spare Parts you will gain an improved production safety and an optimum performance, ensuring a reliable stitching solution for many years to come.

Tolerans Wear Part Kits are available for our complete range of SPEEDLINER® stitchers, and are designed to be replaced at certain interval points. For SPEEDLINER® 2.0 stitchers, please see separate 2.0 Wear Part Kits.

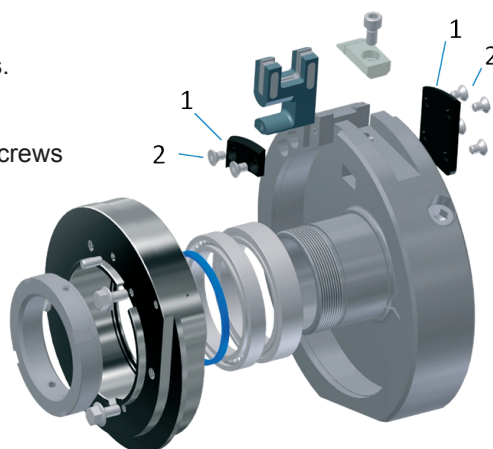
The Wear Part Kits enable quicker replacements with less downtime, and where applicable, all mechanical settings are pre-set when delivered. Instructions for assembly is found in original manual or maintenance instruction movies at www.tolerans.com.

STITCHING CYLINDER KIT 100

To be replaced every 100 million copies.

Consists of:

1. Sideplates
2. Hexagon socket countersunk head screws
3. Rubber string



DELIVERY TIME

Estimate 5-10 working days

TOLERANS ORIGINAL WEAR PART KITS

- Stitching Cylinder
- Cutting Unit
- Feedingbox
- Wire infeeders
- DrumTop

FOR WEAR AND SPARE PART INQUIRIES

Please contact:
spares@tolerans.com
 or call: +46 8 586 116 10

When ordering Stitching Cylinder Kit 100, please view below list for correct part number. (For SPEEDLINER 2.0, view separate sheet.)

Stitching points	Cut-off length (mm)	Staple size (mm)	Part no
2	420-441	14-16	01-001370
2	442-459	12	01-001400
2	442-459	12	01-001267 *)
2	442-459	14-16	01-001373
2	460-478	14-16	01-001296
2	490-504	14-16	01-001376
2	505-520	14-16	01-001228
2	521-538	14-16	01-001379
2	539-551	14-16	01-001382
2	552-567	14-16	01-001385
2	568-585	14-16	01-001388
2	568-585	16	01-001352 **)
2	586-608	14-16	01-001391
2	609-635	14-16	01-001394
2	685-710	14-16	01-001397
3	442-459	12	01-001401
3	420-441	14-16	01-001371
3	442-459	14-16	01-001374
3	460-478	14-16	01-001297
3	490-504	14-16	01-001377
3	505-520	14-16	01-001229

Stitching points	Cut-off length (mm)	Staple size (mm)	Part no
3	521-538	14-16	01-001380
3	539-551	14-16	01-001383
3	552-567	14-16	01-001386
3	568-585	14-16	01-001389
3	586-608	14-16	01-001392
3	609-635	14-16	01-001395
3	685-710	14-16	01-001398
4	442-459	12	01-001402
4	420-441	14-16	01-001372
4	442-459	14-16	01-001375
4	460-478	14-16	01-001298
4	490-504	14-16	01-001378
4	505-520	14-16	01-001230
4	521-538	14-16	01-001381
4	539-551	14-16	01-001384
4	552-567	14-16	01-001387
4	568-585	14-16	01-001390
4	586-608	14-16	01-001393
4	609-635	14-16	01-001396
4	685-710	14-16	01-001399

*) for double round stitcher only
 **) with round side plates